

Rocker Switch (RS3-4 (R) Series)

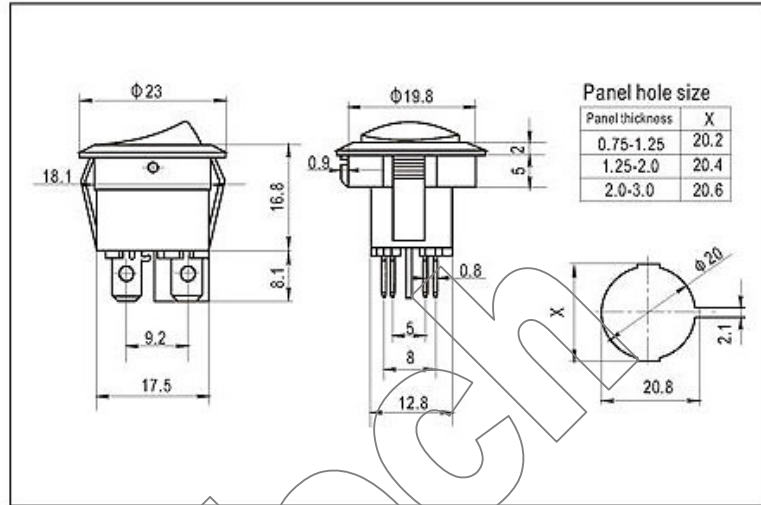


SPECIFICATIONS

- (G): 6 (2) A 250VAC T125/55 1E4
10A 125VAC
- (H): 10 (4) A 250VAC T125/55 1E4
10 (2) A 250VAC T85/55 5E4
16A 125VAC / 10A 250VAC 1/3HP 125-25VAC



ROHS Compliance



EXPLANATION MODEL NUMBER

RS3-4(R) - 21 - G - 2 - BK/BK - P8 - 0

